

LEBOTEC

Piling- and Drilling-Rigs

www.lebotec.nl

verkoop@lebotec.nl

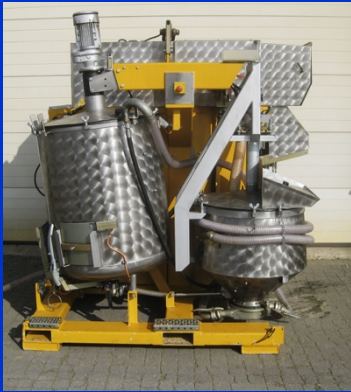
Edisonstraat 47

6604 BT Wijchen

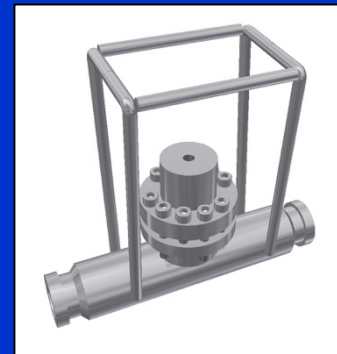
Tel: (0031)-(0)24-7111010

Accessories grout injection

Groutunits and pumps



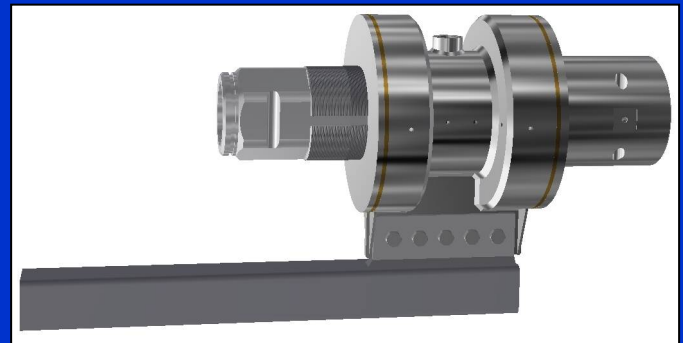
Grout pressure measuring



Drill Tips and Tubes



Grout-Swivel



Tube clamps



Grout-hoses

**Lebotec the right Piling
Machines for a solid
Foundation**